



## BEFORE YOU BEGIN

Read and follow all safety instructions

Contractor is responsible for adequately reinforcing ceilings to support luminaire weight. Alcon Lighting accepts no responsibility for inadequately reinforced ceilings. The information contained in this drawing is the sole property of Alcon Lighting. Any reproduction in part or whole is prohibited and warranty is voided.



## WARNING

### RISK OF FIRE, EXPLOSION AND ELECTRIC SHOCK

- This product should be installed, inspected, and maintained by a qualified electrician only, in accordance with the NEC (National Electric Code) and all local codes.
- Turn off electrical power before inspection, installation or removal.
- Use only UL (or other NRTL) approved wire for input/output connections.
- Make sure LEDs and drivers are cool to touch when performing maintenance.  
Make sure the supply voltage is the same as the rated voltage of the luminaire.
- Do not install in a hazardous atmosphere, except where the ambient temperature does not exceed the rated operating temperature of the fixture.
- Keep tightly closed when in operation



## Prepare Electrical Wiring



### Electrical Requirements

Must check if the local voltage range is correspond with the working voltage of the fixture. Use min. 75°C supply.

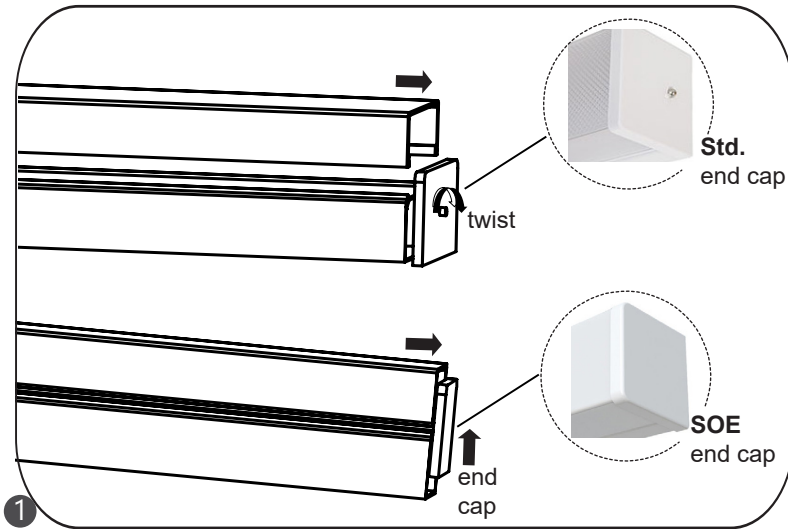


### Grounding Instructions

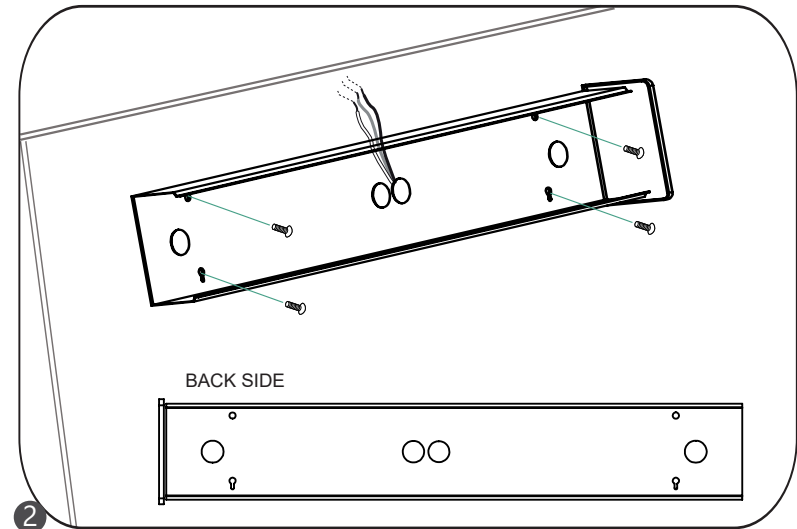
The grounding and bonding of the overall system shall be done in accordance with NEC Article 600 and local codes.



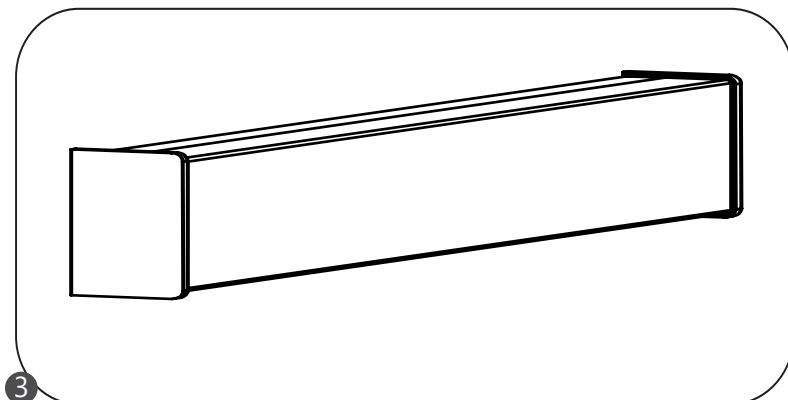
Follow all applicable safety procedures and use Personal Protective Equipment such as hardhats, safety glasses, reflective vest, electrical safety gloves, fall protection equipment and safety toe boots during the installation, operation, and maintenance of the luminaire.



**Standard End Cap** : twist the knob to remove the end cap.  
**SOE End Cap** : Slide up to remove the end cap.  
 Slide out the lens and unscrew the module plate inside.



Punch any of the knockouts for power supply wires and make connection.  
 Use (4) screws to install the fixture on surface.



Reinstall module plate, lens and end cap to complete installation.